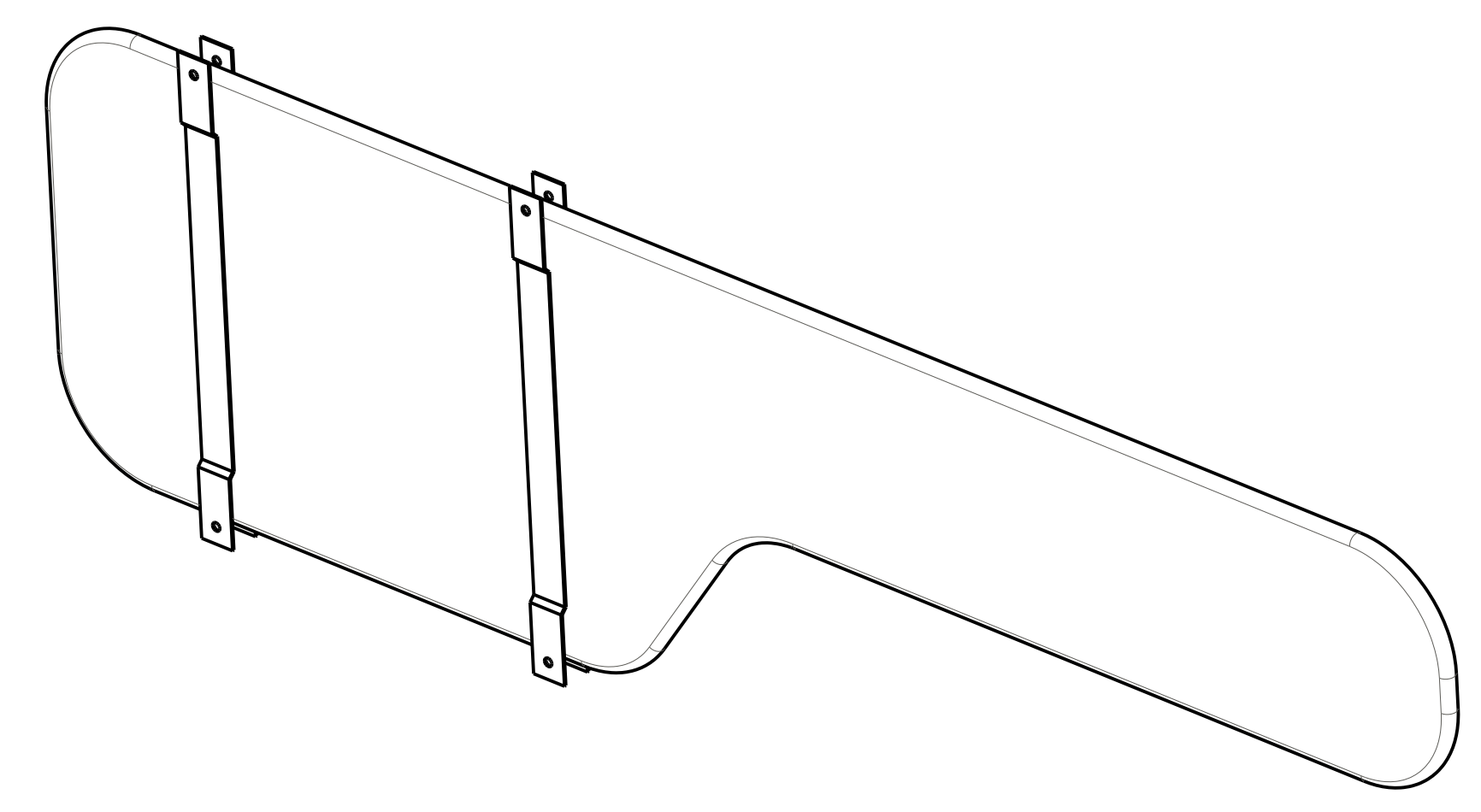


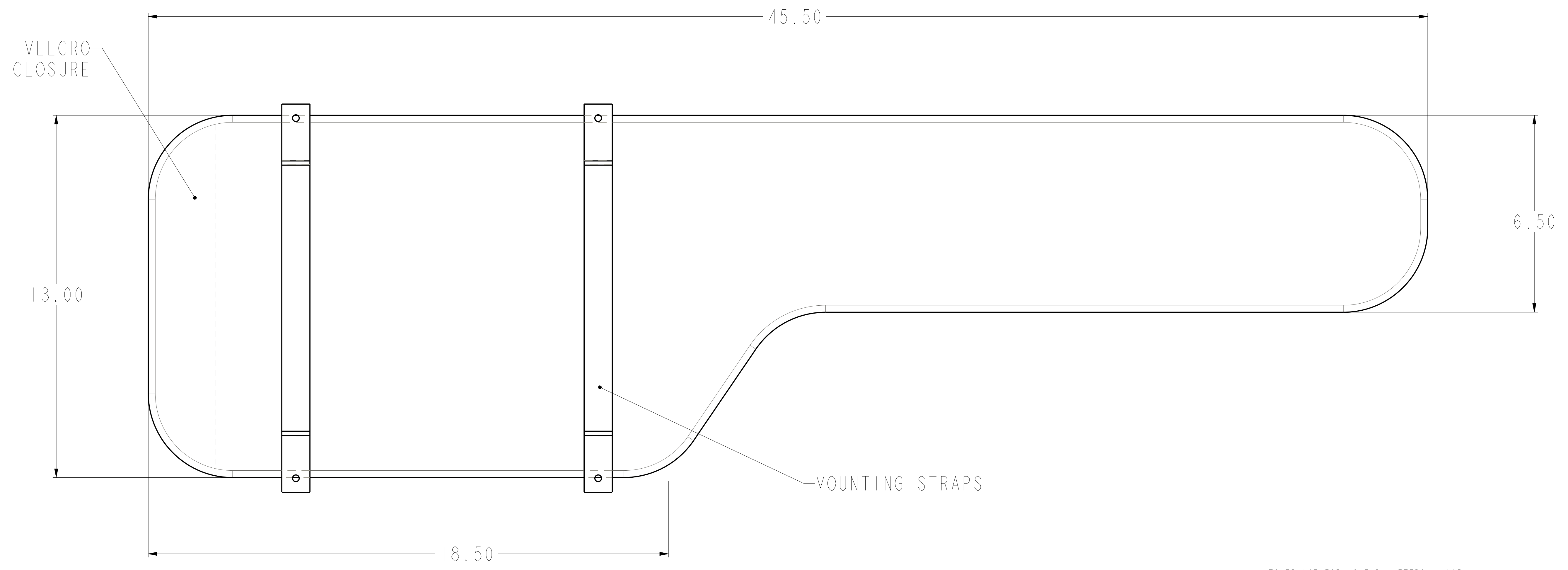
8 7 6 5 4 3 2 1

REVISIONS			
REV	DESCRIPTION	DATE	APPROVED
A	REFERENCE DRAWING	05/18/17	E.F.P.

# EXTERIOR DIMENSIONS



SCALE 1:4



TOLERANCE FOR HOLE DIAMETERS ±.005

MATERIAL - 0.000 NYLON	470 S. MITTHOEFFER RD. INDIANAPOLIS IN 46229		
TOLERANCES (UNLESS OTHERWISE SPECIFIED) .XX ± .03 .XXX ± .015 ANGULAR ± 1-1/2°	<b>ESTES AWS</b>		PART NAME GUN POUCH
SCALE 1:2 05/18/17	NO. PER ASS'Y 1P	DWG NO. HDWRP48GUNCASE	REV A

8 7 6 5 4 3 2 1

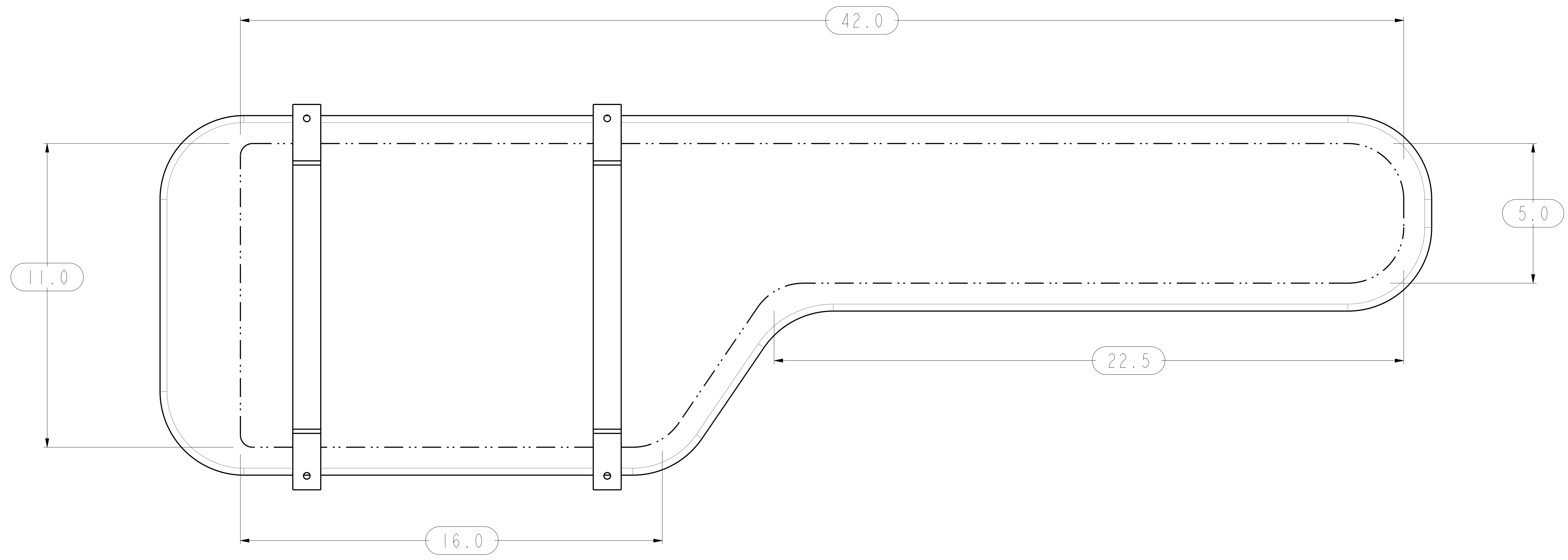
E  
D  
C  
B  
A

E  
D  
C  
B  
A

8 7 6 5 4 3 2 1

REVISIONS			
REV	DESCRIPTION	DATE	APPROVED
A	REFERENCE	05/18/17	E.F.P.

# APPROXIMATE INTERIOR USABLE SPACE



TOLERANCE FOR HOLE DIAMETERS ±.005

MATERIAL - 0.000 NYLON	<b>estes</b> 470 S. MITTHOEFFER RD. INDIANAPOLIS IN 46229		
TOLERANCES (UNLESS OTHERWISE SPECIFIED) .XX ± .03 .XXX ± .015 ANGULAR ± 1-1/2°	<b>ESTES AWS</b>		REV A
SCALE 1:2	NO. PER ASS'Y	IP: BAG/UNPOUCH_INST	SHEET 2 OF 2

8 7 6 5 4 3 2 1